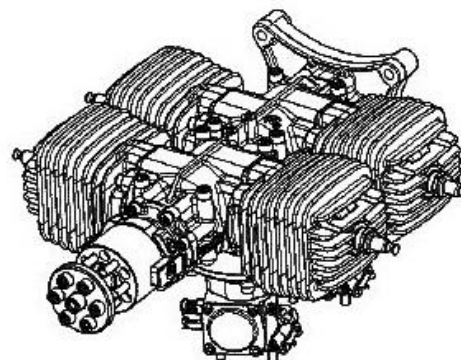
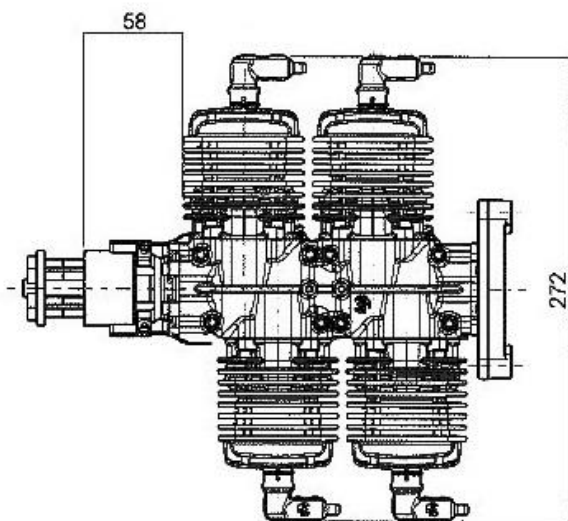
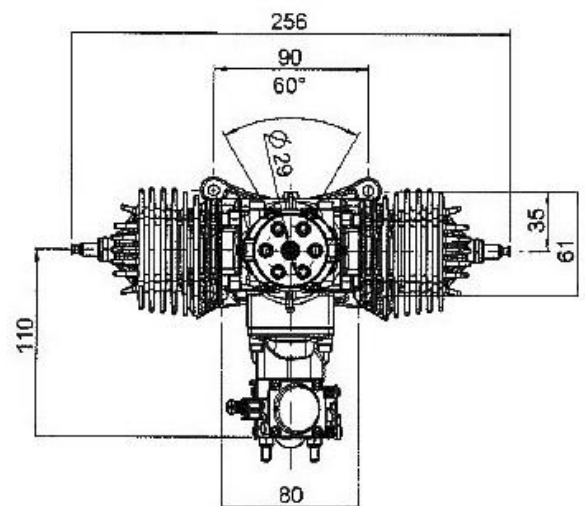
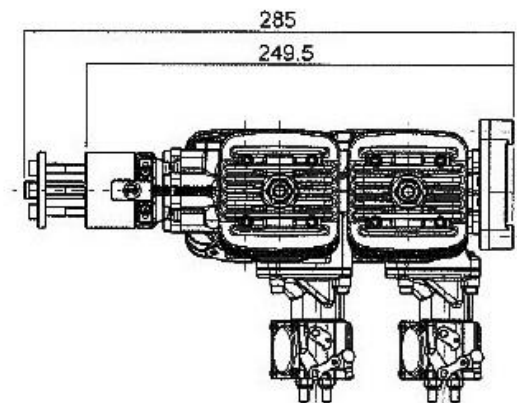


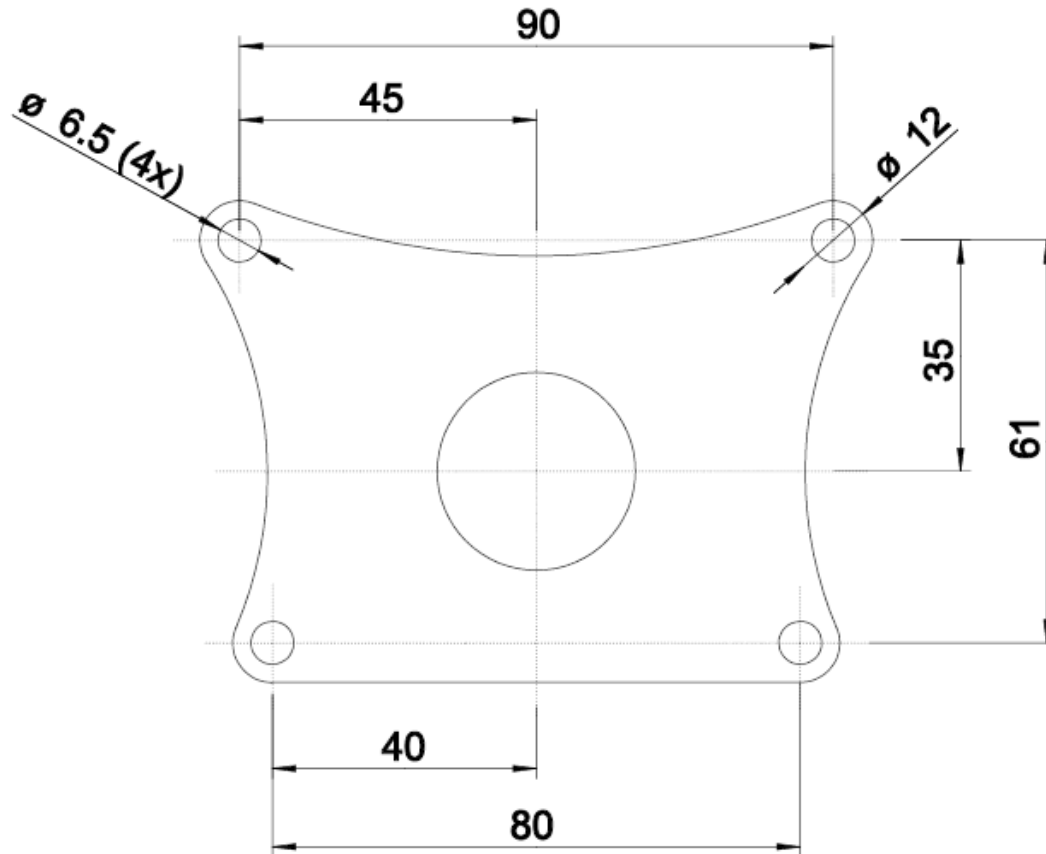


Annex A
3W-140iB4

1. 3-view drawing



2. Drilling template





3. Specifications

	3W-140iB4
Cylinder capacity	136.0ccm
Power	14.0 HP (10.3 KW)
Bore diameter	38.00 mm
Stroke	30.00 mm
Speed range	1,000 – 7,000 rpm
Weight, incl. ignition	3,980 g
Crankshaft	3 ball bearing
Rods	Needle bearings at both ends
Oil / gasoline ratio	1 : 50 – 1: 80 (min. 92 Octan)
IIS – ignition	6.0 – 8.4 V, 5 cells or 2 cells LiPo
2-blade propeller	27 x 10 wood part number 10.101.573 27 x 12 wood part number 10.101.577 28 x 10 wood part number 10.101.581 28 x 12 wood part number 10.101.585 28 x 14 wood part number 10.101.589 30 x 10 wood part number 10.101.593
3-blade propeller	26 x 10 CFK part number 10.101.720 26 x 11 CFK part number 10.101.730